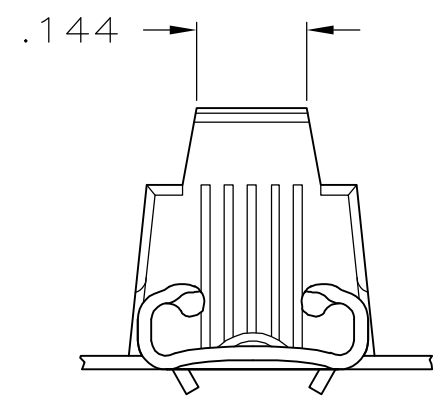
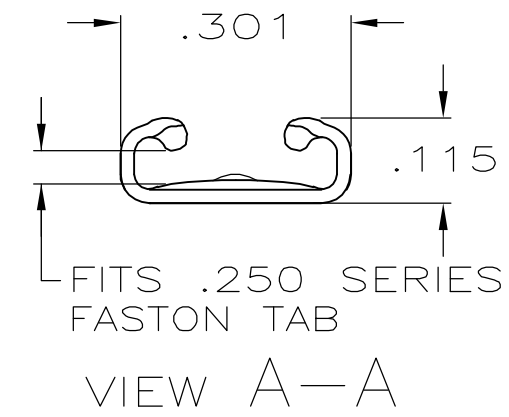
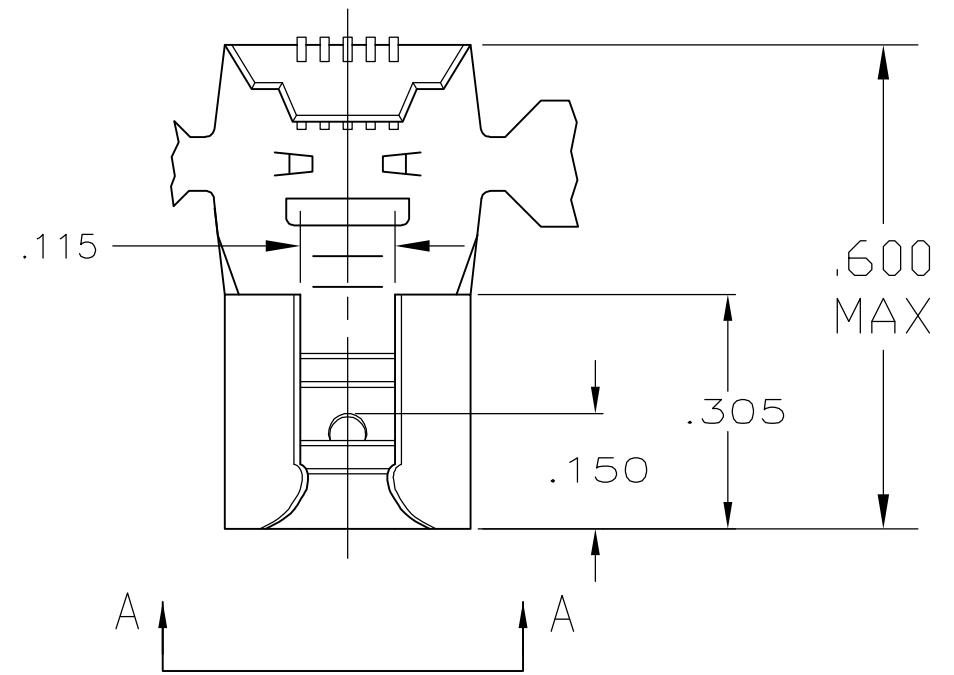


THIS DRAWING IS UNPUBLISHED. RELEASED FOR PUBLICATION
 © COPYRIGHT BY TYCO ELECTRONICS CORPORATION. ALL RIGHTS RESERVED.

LOC	DIST	REVISIONS					
AF	50	P	LTR	DESCRIPTION	DATE	DWN	APVD
			L2	REV PER ECR 06-017175	21JUL06	JR	PD

1- CONTINUOUS STRIP ON REELS.



OBSOLETE	LEFT HAND	18-12	.032 ±.001	—	.016 BRASS	61177-6
	RIGHT HAND	18-12	.032 ±.001	SILVER	.016 BRASS	61177-4
	LEFT HAND	18-12	.032 ±.001	PRE-TIN	.016 BRASS	61177-3
	RIGHT HAND	18-12	.032 ±.001	PRE-TIN	.016 BRASS	61177-2
OBSOLETE	RIGHT HAND	18-12	.032 ±.001	—	.016 BRASS	61177-1
	REELING	WIRE SIZE	TAB THK	FINISH	MATERIAL	PART NO.

THIS DRAWING IS A CONTROLLED DOCUMENT.		DWN JR RUTH 2/3/86	Tyco Electronics Corporation Harrisburg, PA 17105-3608			
DIMENSIONS: INCHES		CHK M FEHER 2/6/86				
TOLERANCES UNLESS OTHERWISE SPECIFIED:		APVD C MEYERS 2/7/86	.250 SERIES FLAG FASTON RECEPTACLE			
0 PLC ± - 1 PLC ± - 2 PLC ± - 3 PLC ± .015 4 PLC ± - ANGLES ± -		PRODUCT SPEC	RESTRICTED TO			
MATERIAL SEE TABLE		FINISH SEE TABLE	APPLICATION SPEC	SIZE A3	CAGE CODE 00779	DRAWING NO C-61177
CUSTOMER DRAWING			WEIGHT -	SCALE NTS	SHEET 1 OF 1	REV L2